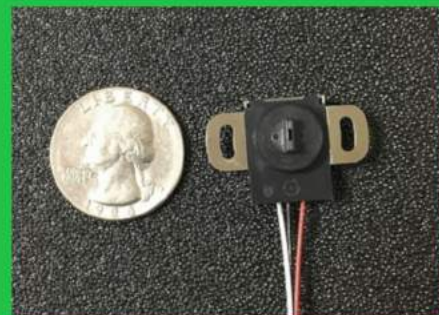


Contactless Dual Output Angle Precision Potentiometer

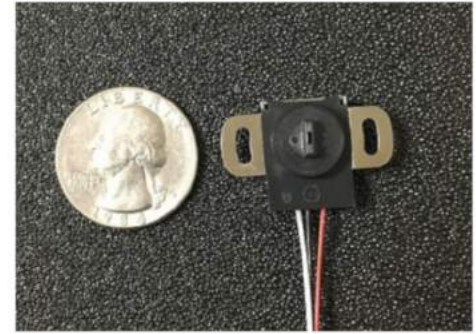
CP-1Hx Series



- Compact Size Φ 21mm (0.82in)
Thinness 4.4mm (0.17in)
- Effective Electrical Angle: 90°, 180°, 360°
- Output: Voltage Ratio Output, PWM
- Shaft Shape:
 - Double Side Flat Shaft
 - D-Cut Shaft
 - Touchless Shaft
- IP67

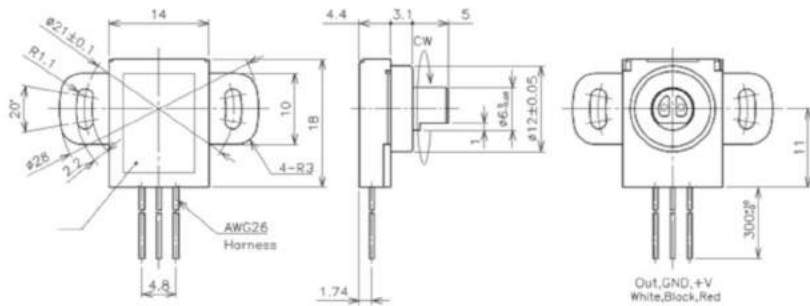


CP-1Hx is a small Hall-IC contactless dual output position sensor that offers a wide electrical angle range of up to 360 degrees, voltage ratio/ PWM output, and a high level protection against EMS, EMI, and ESD. The small housing diameter is almost the same size as a quarter coin for fitting into any limited tight spaces.

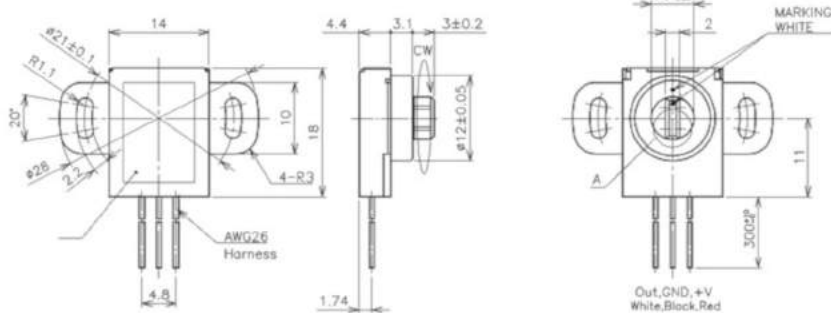


Dimensions (mm)

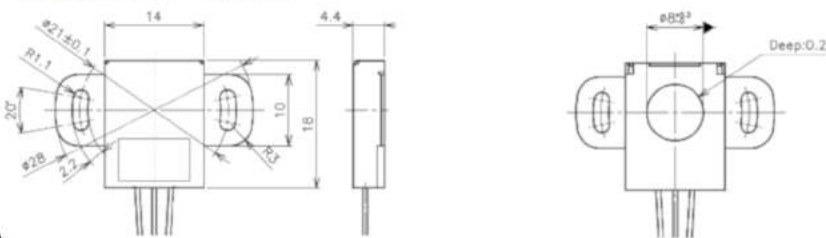
D-Cut Shaft



Double Side Flat Shaft



Touchless Shaft



Effective Electrical Angle

$\pm 45^\circ$, $\pm 90^\circ$, $\pm 180^\circ$ (Dead Angle: 0.1°)

Absolute Linearity

$\pm 2\%$ FS (FS= 50°)

Input Voltage

DC 5 ± 0.5 V

Output Signal

Voltage Ratio, PWM

Output Range

$10\%V_{in} \sim 90\%V_{in}$

Vibration

200m/S² 5~500Hz

Shock

500m/S² 11ms

EMI (Immunity)

ISO11452-2, -3 100V/m

EMI (Emission)

CISPR25

ESD

IEC61000-4-2 ± 15 kV

IP Level

IP 67 (Except Shaft Side)



CP-1Hx Series Application Examples

- Angle sensor for robot arm joint
- Steering angle sensor for AGV
- Angle sensor for engine controller (Boat)
- Angle sensor for joystick controller
- Position sensor for flowmeter/ valve positioner
- and so on

More Information about CP-1Hx

www.midoriameerica.com