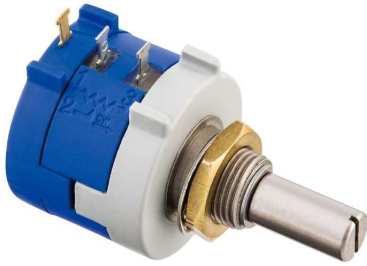


Wire-Wound Multi-turn Potentiometer

HP-18 Series

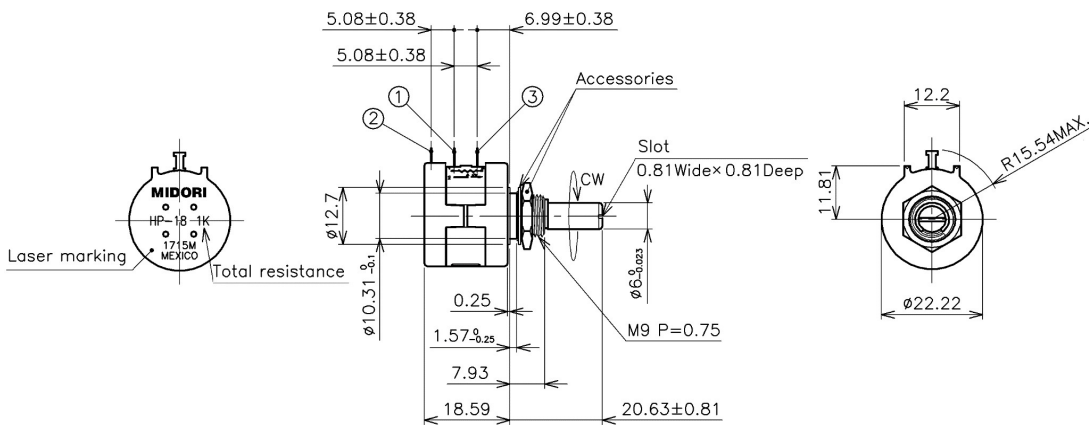


- Wire-Wound Multi-turn Potentiometer
- Effective Electrical Travel : 3600° (10-turn)
- Independent Linearity : ±0.25%FS
- Bushing Mount
- This unit is used with counting dial D-12, H-22, H-46 and DM-15

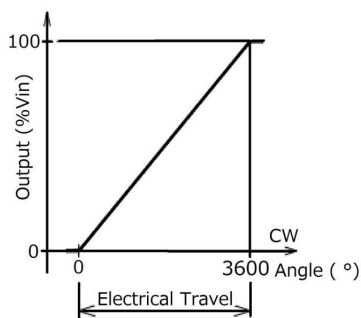
[Material]

- Housing : Nylon, Copper Alloy
- Shaft : Stainless Steel

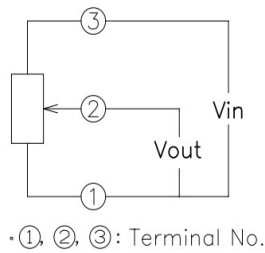
Dimension (mm)



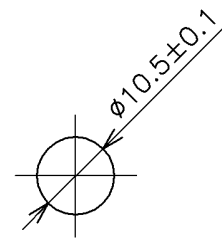
Output Characteristics



Schematic



Schematic



• Recommend installation panel thickness : 2.46~3.81mm
 If HP-18 is used with a dial, please refer the mounting dimension of the dial.

[Model No.]	HP-18
--------------------	--------------

Total Resistance	
Total Resistance	Resolution
1K Ω	0.029%MAX.
2K Ω	0.023%MAX.
5K Ω	0.025%MAX.
10K Ω	0.020%MAX.
20K Ω	0.019%MAX.

Electrical Specifications	
Effective Electrical Travel	3600° +10°, -0°
Total Resistance Tolerance	±5%
Independent Linearity	±0.25%
Rated Dissipation	2W/+40°C
Insulation Resistance	1000M Ω MIN. DC500V
Dielectric Strength	AC1500V 1minute
TC of Resistance	±50ppm/K MAX.
End Output Voltage	0.1% MAX.
Equivalent Noise Resistance	100 Ω MAX.

Mechanical Specifications	
Total Mechanical Travel	3600° +10°, -0°
Torque	8.5mN · m MAX.
Mass	Approx. 19g
Stopper Strength	450mN · m MIN.
Backlash	1° MAX.

Environmental Specifications	
Operating Temperature Range	-40 ~ +125°C
Storage Temperature Range	-55 ~ +125°C
Vibration	150m/S ²
Shock	500m/S ²
Life Cycle (No Load)	1 Million MIN.
IP Level	IP40

■ Accessories

M9 Nut

Internal Toothed Lock Washer 1 piece each

■ Handling Instruction

- Winding resistance may oxidize and causes sliding noise even this sensor is unused for a long time.
- Miswiring might cause burnout of resistive element.
- To reduce sliding noise, add load resistance should be more than 100times and less than 1000times of total resistance.
- Slight continuous vibration such as dither might cause short lifetime of the sensor.
- To avoid damage of stopper, do not rotate the shaft at the end with excessive force.