

Multi-turn Dial

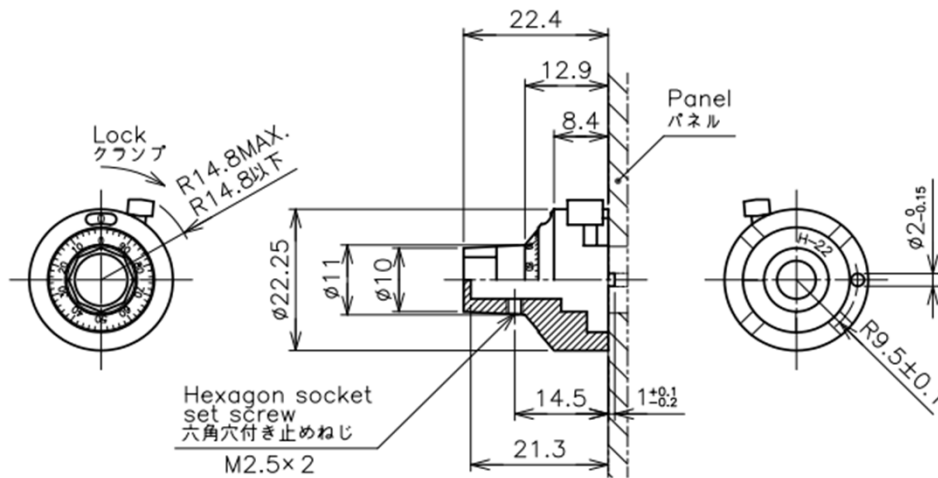
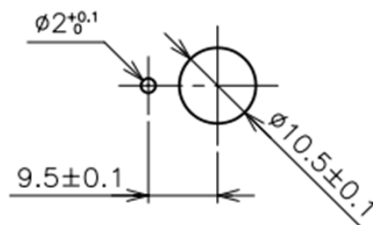
Dial H-22



- Multi-turn analog dial.
- Use with HP-16 and HP-18 10-turn wire wound potentiometer

【Material】

- Housing : Zinc, Aluminum, Copper alloy, POM

Dimension [mm]**Mounting** [mm]

• Applicable Plate Thickness: 1.6~3mm

【Specifications】

Number Of Turns	15	Turns
Minor Scale Division	1/500	
Mass	15 Approx.	g
Applicable Pot.	HP-18	
Applicable Plate Thickness	1.6~3	mm

Supplied Accessories

Hexagonal wrench for set screw : 1pc

Antirotation device nut : 1pc (If H-22 is used with HP-18, please do not use it.)

Handling Instruction

This dial is designed for being mounted on potentiometer only and then being rotated by hand. Please do not rotate dial at high speed by using motors.