

Conductive Plastic Tilt Angle Sensor

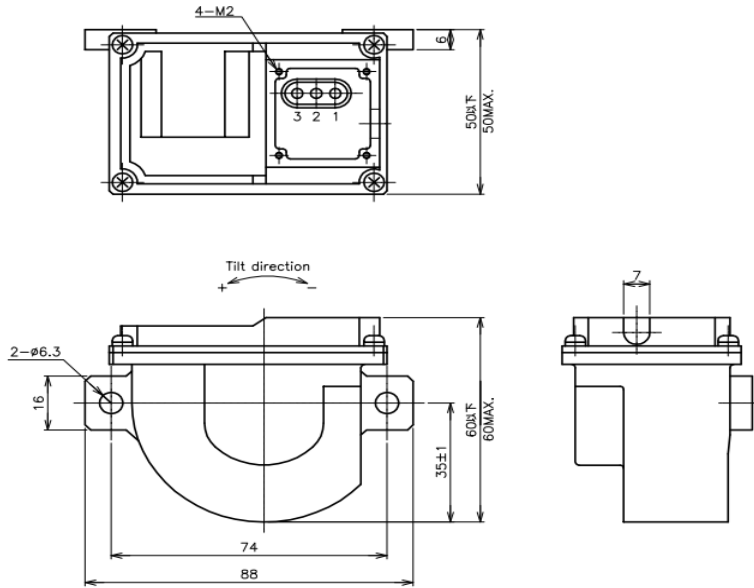
7450Pot Series



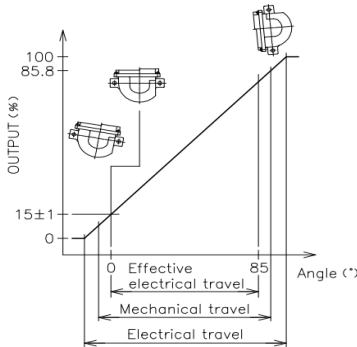
- Conductive Plastic Tilt Angle Sensor
- Single Axis
- Effective Electrical Tilt Angle : 85°
- Total Accuracy : ±1%
- Ratio Output

[Material]
 ● Housing : Aluminum

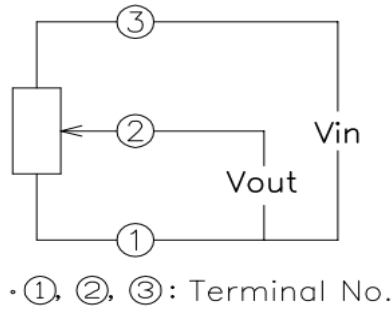
Dimension (mm)



Output Characteristics



Schematic



Mounting



[Model No.]	7450POT
--------------------	----------------

Electrical Specifications	
Tilt Angle (0°at vertical position)	110° MIN CCW Side 95°MIN CW Side 10°MIN
Total Accuracy	±1.0%
Built-in Sensor	CP-2F conductive plastic angle sensor
Effective Electrical Travel	85°
Total Resistance	500Ω
Total Resistance Tolerance	±20%
Rated Dissipation	0.33W/50°C
Insulation Resistance	200MΩ/DC500V MIN.
Dielectric Strength	AC500V/1Minute
Mass	Approx. 280g

Mechanical Specifications	
Category Temp. Range	-20~+80°C
Storage Temp. Range	-40~+80°C
Vibration	50m/S ² 33Hz 3axis 2hours
Shock	200m/S ² 6directions 3times
IP Level	IP64

■ Accessories

Terminal Protection Lid: 1pc

M2 Pan Head Machine Screw: 4pcs

■ Handling Instruction

- To avoid burnout of resistive element, do not supply more than 1mA current to terminal 2.
- To reduce sliding noise, add load resistance should be more than 100 times and less than 1000 times of total resistance.
- Slight continuous vibration such as dither might cause short lifetime of the sensor.