

Contactless Hall-IC Tilt Angle Sensor

WR-7UHA

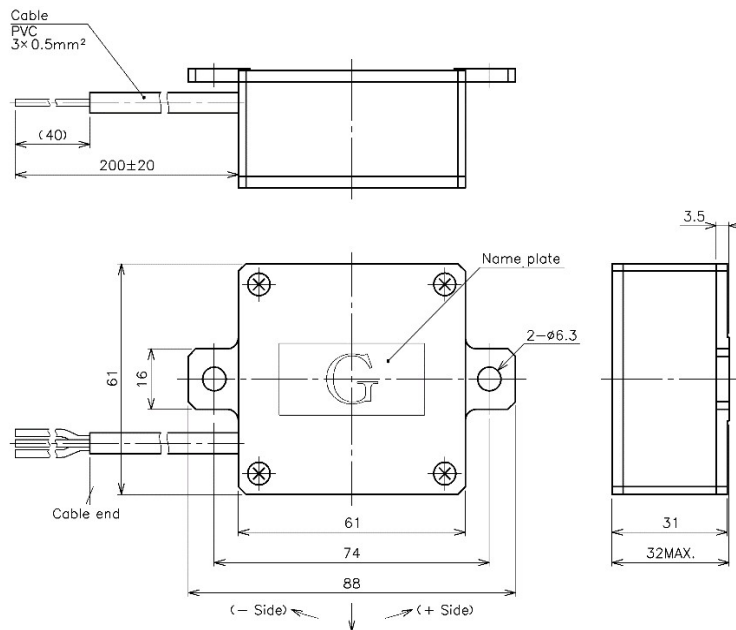


- Hall-IC Inclinator
- Effective Electrical Travel : 120°
- Absolute Linearity : $\pm 0.8\%$ (FS=120°)
- High Environmental Performance
 - IP64
 - EMS 100V/m

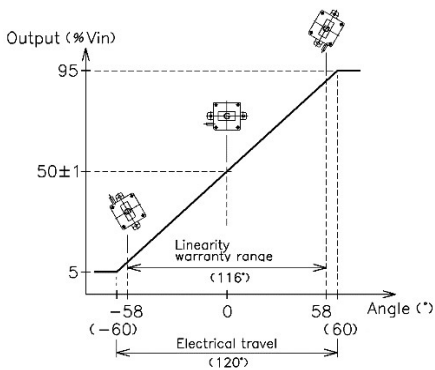
【Material】

● Housing : Aluminum

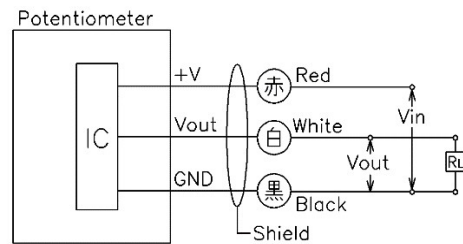
Dimension (mm)



Output Characteristics



Schematic



• Red, white and black indicate cable colors.

【Model No.】	WR-7UHA
Electrical Specifications	
Effective Tit Angle	±60°
Index Point	50±1%Vin
Absolute Linearity	±0.8%FS (FS=120°)
Tilt Sensitivity	0.6°MAX. (0.5%FS MAX. FS=120°) including hysteresis
Input Voltage	DC5V±0.5V
Load Resistance (RL)	10KΩ MIN.
Supply Current	10mA MAX.
Temp. Characteristic	-30 ~ +80°C (Reference Temp. +25°C) ±0.48° (±0.4%FS, FS=120°)
Mechanical Specifications	
Total Mechanical Tilt Angle	360° Endless
Damping Time Constant	Approx.0.3sec/45°/25°C
Oil Viscosity	500mm ² /S
Mass	Approx. 260g
Environmental Specifications	
Operating Temperature	-30 ~ +80°C
Storage Temperature	-40 ~ +80°C
IP Level	IP64 (Except cable end)
Vibration	50m/S ² ,5 ~ 500Hz, 6min, 3axis 2hours (Room Temp.)
Shock	500m/S ² ,11ms, 6axis 3times (Room temp.)
EMS	100V/m ,200MHz ~ 1Ghz (ISO11452-2), output error:±1%Vin
ESD	±15KV (IEC61000-4-2)

■ Options

- Effective Tilt Angle: 90° ~ 359.9°

■ Handling Instruction

- Hall-IC sensor is impossible to measure resistance value as a variable resistor.
- This product may be influenced from external magnetic field.
- Use this sensor in the place where is protected from ESD.