

Contactless Linear Sensor

LP-10HA Series

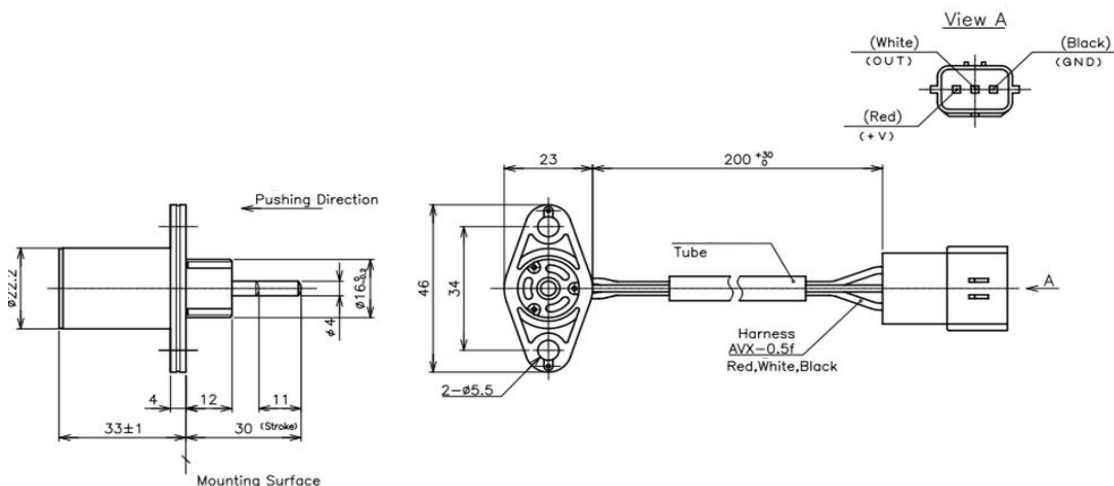


- Contactless Linear Sensor
- Effective Electrical Travel : 10mm
- Absolute Linearity : $\pm 1.6\%FS$
- Ratio Output
- with Return Spring

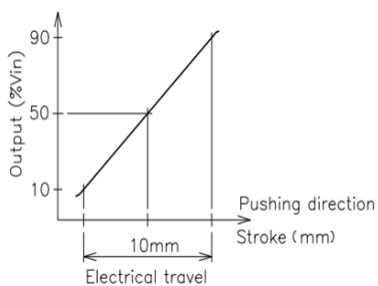
[Material]

- Housing : PBT
- Shaft : Stainless Steel
- Bearing : Copper Alloy

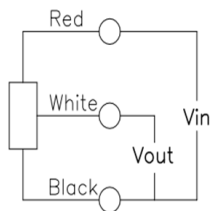
Dimension (mm)



Output Characteristics

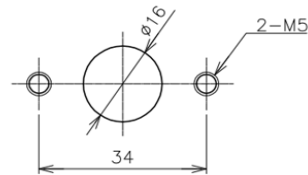


Schematic



• Red,White,Black indicate wire colors.

Mounting



【Model No.】	LP-10HA
--------------------	----------------

Electrical Specifications	
Effective Electrical Travel	10 mm
Output Range	10 ~ 90 %Vin
Absolute Linearity (Ind. Lin)	±1.6%FS (±1.1%FS) FS=10mm
Input Voltage	DC 5 V±0.5 V
Load Resistance	10 ~ 100 KΩ
Supply Current	16 mA MAX.
Insulation Resistance	100 MΩ MIN. / DC50V
Output Resolution	10 bit (0 ~ 100%Vin)
Temp. Characteristics (-40~100℃)	±0.3mm (±3.0%FS) *Reference Temp. 25℃

Mechanical Specifications	
Total Mechanical Travel	11 mm ±1 mm
Friction	0.8 N ~ 2.45 N
Stopper Strength	98N MIN.
Mass	Approx. 51 g

Environmental Specifications	
Life Cycles	10 Million Cycle MIN.
Category Temperature Range	-40 ~ +100 °C (No condensation)
Storage Temperature Range	-40 ~ +100 °C (No condensation)
Vibration	98m/S ² 200 ~ 2000Hz
Shock	1000m/S ² (100G) 3 axis 3 times
EMS	100V/m 200 ~ 1000 MHz
ESD (Case ~ Each Terminal)	±25 KV
ESD (Each Terminal)	±25 KV
IP Level	IP 65 (Except mounting surface and connector end)

■ Handling Instruction

- Do not use Hall-IC sensor as a variable resistor.
- This product may be influenced from external magnetic field.
- Use this sensor in the place where is protected from ESD.