

Multi-turn Dial

# DM-15 Series

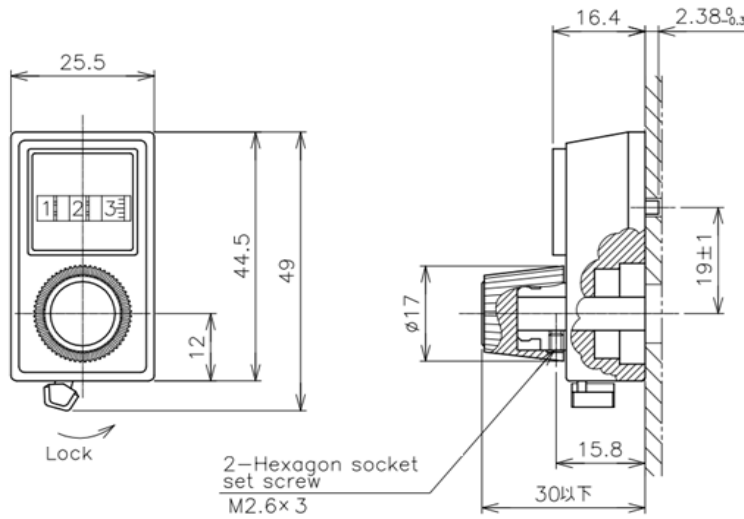


- Multi-turn digital count display dial
- Use with HP-16 10-turn wire wound potentiometer

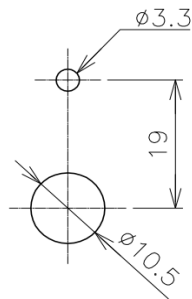
**【Material】**

- Housing : Zinc, Aluminum, Copper Alloy, POM

**■ Dimension**



**■ Mounting**



**【Specifications】**

Number Of Turns	10 Turns
Minor Scale Division	999
Mass	Approx. 40g
Applicable Potentiometer	HP-16 (10-turn wire wound potentiometer)
Applicable Panel Thickness	MAX. 6 mm

**■ Handling Instruction**

- Please turn the knob by hand.