

Conductive Plastic Angle Sensor

CP-2FWP-10S Series

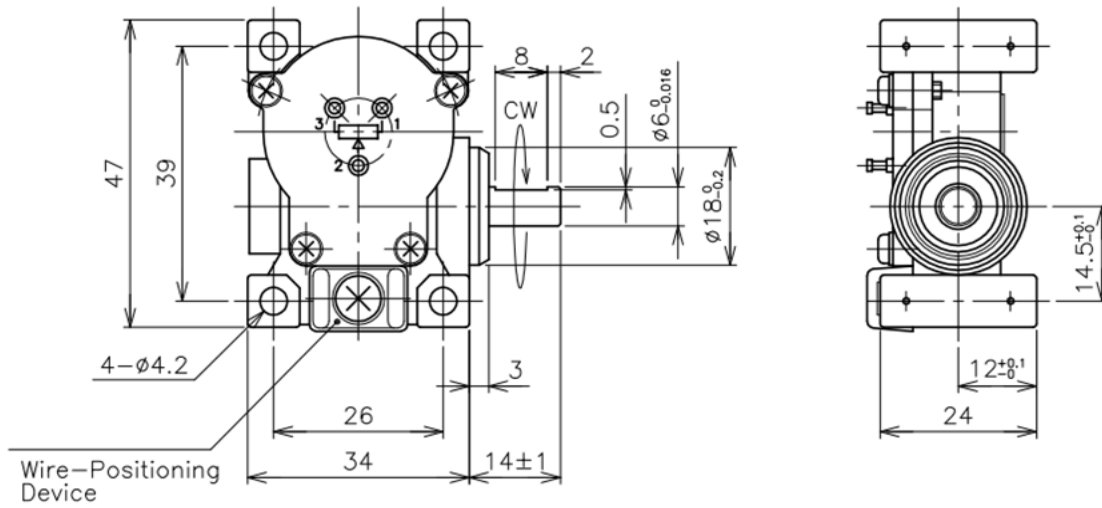


- Conductive Plastic Multi-Turn Angle Sensor
- Effective Electrical Travel : 34000° (10-Turn)
- Independent Linearity : ±1.5%FS
- Dust and Drip Proof : IP65

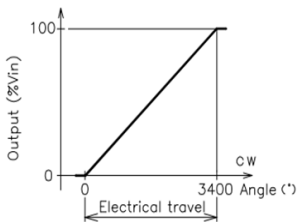
[Material]

- Housing : Aluminum
- Shaft : Stainless Steel
- Bearing : Stainless Steel

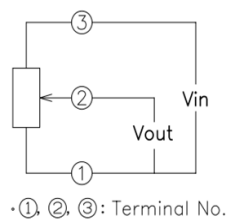
Dimension (mm)



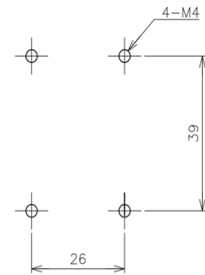
Output Characteristics



Schematic



Mounting



| | |
|--------------------|--------------------|
| [Model No.] | CP-2FWP-10S |
|--------------------|--------------------|

| Electrical Specifications | |
|----------------------------------|------------------|
| Effective Electrical Travel | 3400° +20°, -30° |
| Total Resistance | 1K, 2K, 5K Ω |
| Total Resistance Tolerance | ±20% |
| Independent Linearity | ±1.5% |
| Rated Dissipation | 0.5W/50°C |
| Output Smoothness | 0.1% MAX. |
| Insulation Resistance | 100MΩ/ DC1000V |
| Dielectric Strength | AC1000V/1Minute |
| TC of Resistance | ±400ppm/K |
| | |

| Mechanical Specifications | |
|----------------------------------|--------------------------------|
| Gear Ratio | 10:1 (10-Turn) |
| Torque | 25mN · m MAX. |
| Repeatability | 0.5% MAX. (Including Backlash) |
| Thrust Load Tolerance | 3 N |
| Radial Load Tolerance | 5 N |
| Mass | Approx. 55g |

| Environmental Specifications | |
|-------------------------------------|------------|
| Category Temperature Range | -40~+100°C |
| Storage Temperature Range | -40~+100°C |
| IP Level | IP65 |
| | |
| | |
| | |
| | |
| | |
| | |

■ Handling Instruction

- To avoid burnout of resistive element, do not supply more than 1mA current to terminal 2.
- To remain IP level of CP-2FWP-xxS, please sealed terminal area by potting.
- In the case wear debris come into contact with the surface of resistive element, it might cause electrical noise.
- Miswiring might cause burnout of resistive element.
- To reduce sliding noise, add load resistance should be more than 100times and less than 1000times of total resistance.
- Slight continuous vibration such as dither might cause short lifetime of the sensor.