

Conductive Plastic (Screen Element) Angle Sensor

# CP-2FBJ-6 Series



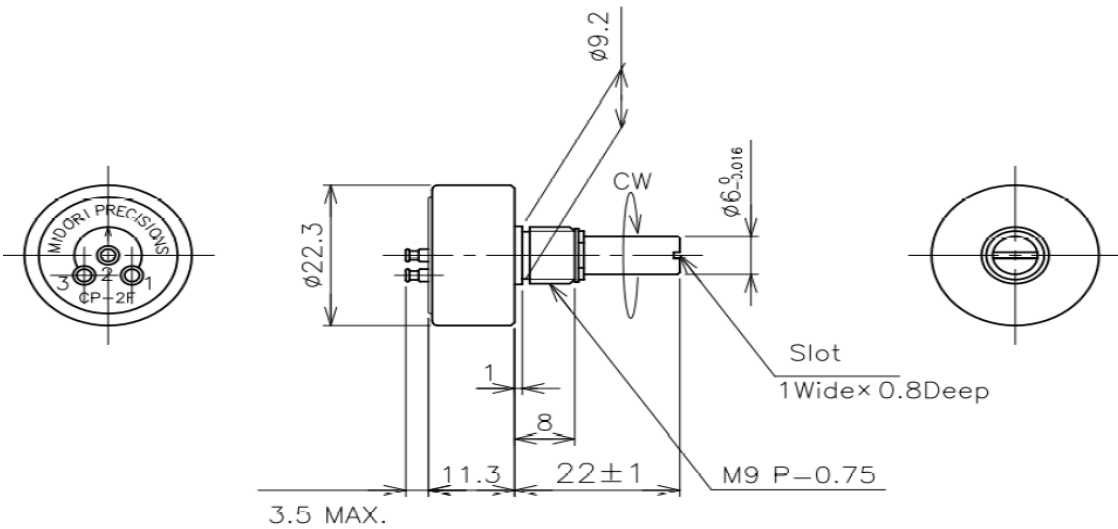
- Conductive Plastic Angle Sensor : **Screen Element**
- Effective Electrical Travel : 340°
- Independent Linearity : ±1%
- Bushing Mount
- Low Cost

- CP-2FBJ-6 : Ball Bearing
- CP-2FBGJ-6 : Metal Sleeve Bearing & O-ring

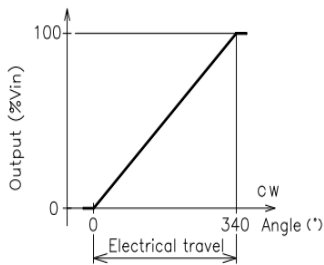
**[Material]**

- Housing : Aluminum
- Shaft : Stainless Steel
- Bearing CP-2FBJ-6 ... Ball Bearing : Stainless Steel  
CP-2FBGJ-6 ... Metal Sleeve Bearing : Copper Alloy

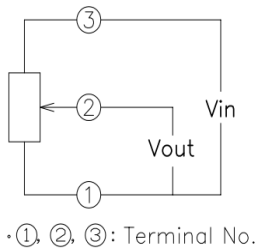
## ■ Dimension (mm)



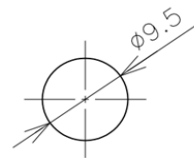
## ■ Output Characteristics



## ■ Schematic



## ■ Mounting



[Model No.]	CP-2FBJ-6	CP-2FBGJ-6
-------------	-----------	------------

#### Electrical Specifications

Effective Electrical Travel	340° + 2°, -3°	
Total Resistance	1K, 2K, 5K, 10K Ω	
Total Resistance Tolerance	±20%	
Independent Linearity	±1%	
Rated Dissipation	0.5W/50°C	
Output Smoothness	MAX. 0.1%	
Insulation Resistance	MIN. 100MΩ/DC1000V	
Dielectric Strength	AC1000V/ 1 Minute	
TC of Resistance	±400 ppm/K	

#### Mechanical Specifications

Total Mechanical Travel	360° endless	
Running Torque	MAX. 3.5 mN · m	MAX.20 mN · m
Thrust Load Tolerance	1N	
Radial Load Tolerance	2N	
Mass	Approx. 20g	

#### Environmental Specifications

Life Cycles	10 Million Cycle	
Category Temperature Range	-40 ~ +100 °C	
Storage Temperature Range	-40 ~ +100 °C	
Vibration	150m/S <sup>2</sup> 2000Hz 3axis 2hours each	
Shock	500m/S <sup>2</sup> 11ms 6directions 3times	

#### ■ Accessories

M9 nut

Inner tooth lock washer 1 piece each

#### ■ Handling Instruction

- To avoid burnout of resistive element, do not supply more than 1mA current to terminal 2.
- Miswiring might cause burnout of resistive element.
- To reduce sliding noise, add load resistance should be more than 100times and less than 1000times of total resistance.
- Slight continuous vibration such as dither might cause short lifetime of the sensor.

